

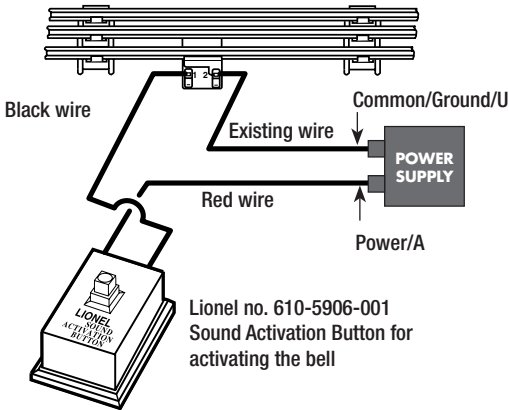
LEGACY RailSounds sound system operations

Installing a Lionel Sound Activation Button for conventional operation

If your transformer lacks **WHISTLE** and **BELL** buttons, you will need to install Lionel no. 610-5906-001 Sound Activation Buttons (available separately) to activate the locomotive's whistle and bell sounds.

Connect the buttons as shown below. Be sure that all track power passes through the Sound Activation Button(s). Do not bypass the buttons.

For AC transformers lacking a bell button



For AC transformers lacking bell and horn/whistle buttons

